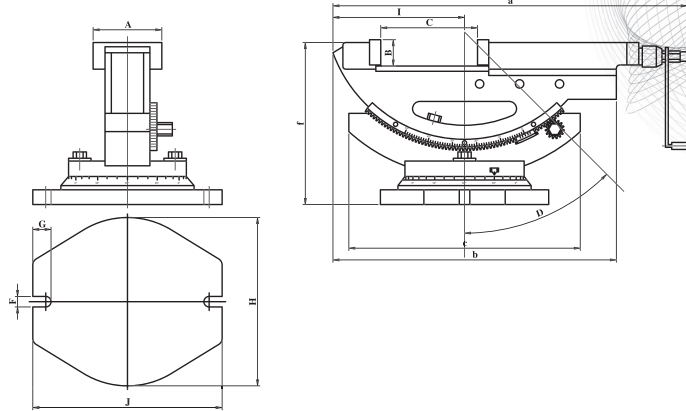


Tilting Hydraulic Machine Vice



- The same as characters of VH type. Swivel base same as VH type.
- Tilting seat set by two locking screws, works in high stability.
- Angle setting ranges from 0°~50°. Tilting degrees graduated for easy reading. Swivel base graduated to 360° and fixable in any position.
- THE (3 STEPS CLAMPING POSITION) SAME AS VH TYPE.
- Accuracy within 0.02mm
- Hydraulic-booster system is guaranteed for using 2 years limited.

Unit:mm

ORDER NO.	A	B	C OPEN	D	E	F	G	H	J	a	b	c	f	Max. Clamp Force	G.W. (kgs)	Meas CFT	CODE NO.
VHT-4	110	36	220	50	15	15	26	240	270	500	404	335	230	2500kgs	(W)33.3	1.2	1002-020
VHT-6	154	54	350	50	20	19	28	300	330	800	585	415	290	4500kgs	(W)88	4.4	1002-021

Universal Tilting Hydraulic Machine Vice

PAT NO. 98202966

NEW



- NEW DESIGN: ADJUSTABLE PRESSURE DEVICE.
- SUIT FOR PROCESSING OF BRASS, AL, PLASTIC, STEEL.
- NEW DESIGN: SUPER OPEN JAW SIZE, SMALLEST OPEN JAW SIZE.

LOCK PROOF SYSTEM: PREVENT WRONG CLAMPING FORCE STUCKS THE VISE.

- 45 DEGREE TILTING FUNCTION, ALLOW 90 DEGREE PROCESSING!
- TILTING FUNCTION HAS MORE WORK FREE ALLOWANCE WILL NOT BLOCK OR HIT MACHINE!
- LOWER OVERALL HEIGHT PROVIDES MORE SPACE FOR HEAVY CUTTING STABILITY AND BIGGER WORKPIECE!
- TILTING STRUCTURE HAS STRONG TIGHTENING DESIGN.
- ALL FUNCTION SAME AS VH SERIES. EXCEPT THE TILTING STRUCTURE.

ORDER NO	A	B	C OPEN	D	E	F	G	H	i	j	Max. Clamp Force	K MAX. degree	G.W. (kgs)	CODE NO.
VHT-4U	653	36	170	ø162	165	104	169	263	141	80	3750kgs	90°	37.39	1002-025
VHT-6U	942	51	300	ø242	231	145	196	380	199	125	5250kgs	90°	93.96	1002-026