

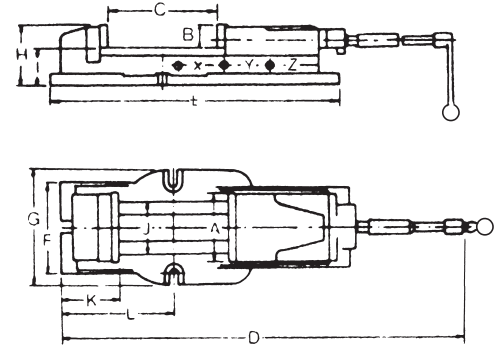
# Super Open Vise



MECHANICAL TYPE



VJ-600



EXCEPT THE HYDRAULIC SYSTEM, THE FEATURE IS SAME AS VH-TYPE ACCURACE WITHIN 0.02mm

VJ-400 JAW OPENED 180mm  
VJ-500 JAW OPENED 230mm  
VJ-600 JAW OPENED 300mm

## Order No. & Dimensions

Unit:mm

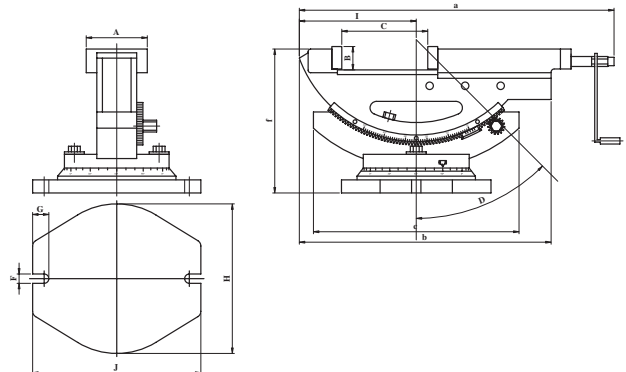
ORDER NO.	A	B	C OPEN	D	E	F	G	H	I	J	K	L	Max. Clamp Force	G.W. (kg)	Meas CFT	CODE NO.
VJ-400	110	37	180	522	440	133	168	94	58	80	97	150	1500 kgs	(C) 24.8	0.8	1002-050
VJ-500	130	48	230	580	455	168	192	114	65	97	75	157	1500 kgs	(C) 33.4	1.5	1002-051
VJ-600	154	54	300	695	540	186	200	131	78	116	90	182	1500 kgs	(C) 46.1	2.2	1002-052

# 2-Way Angle Milling Vise



VWT-4B

VWT-6B



EXCEPT THE HYDRAULIC SYSTEM, THE FEATURE IS SAME AS VHT-TYPE

VWT-4B JAW OPENED 220mm  
VWT-6B JAW OPENED 350mm

## Order No. & Dimensions

Unit:mm

ORDER NO.	A	B	C OPEN	D	E	F	G	H	J	a	b	c	f	Max. Clamp Force	G.W. (kg)	Meas CFT	CODE NO.
VWT-4B	110	36	220	50	15	15	26	240	270	500	404	335	230	1200 kgs	(C) 33.3	1.2	1002-060B
VWT-6B	154	54	350	50	20	19	28	300	330	800	585	415	290	1600 kgs	(W) 79.7	4.4	1002-061B