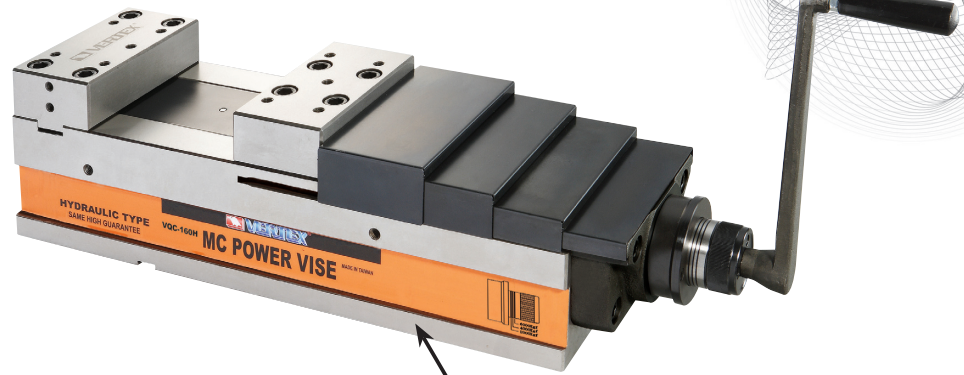




MC Power Vise Hydraulic Type

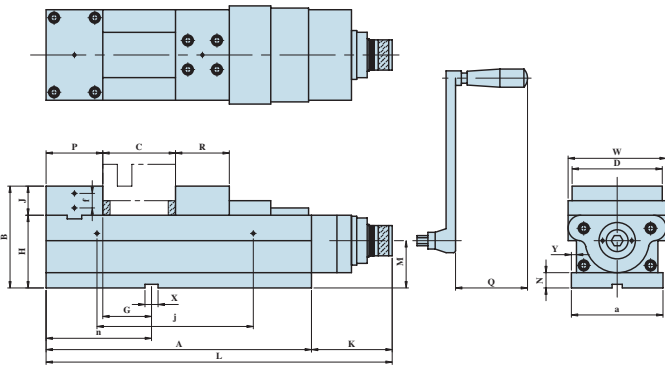
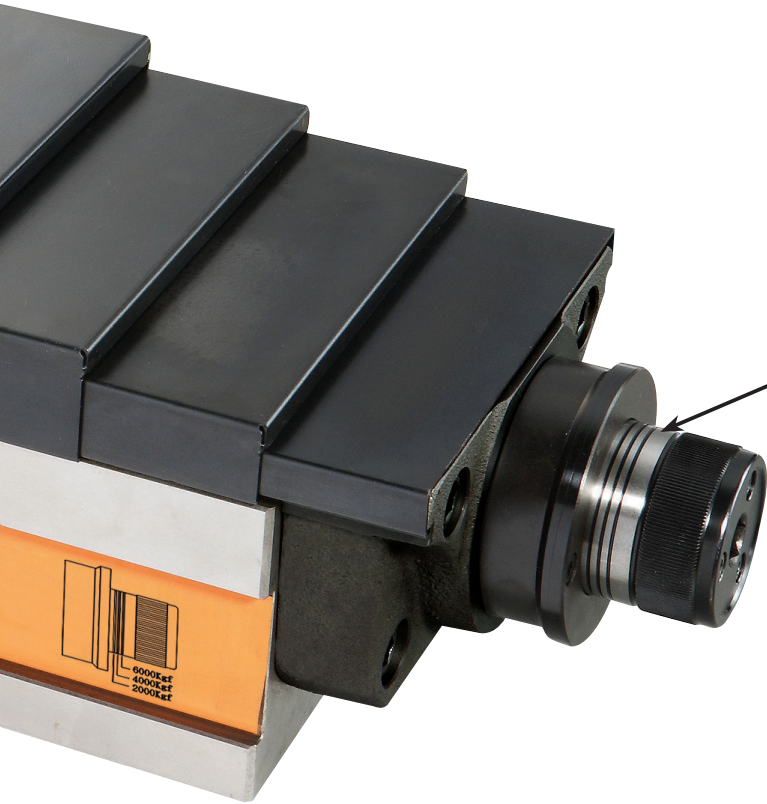
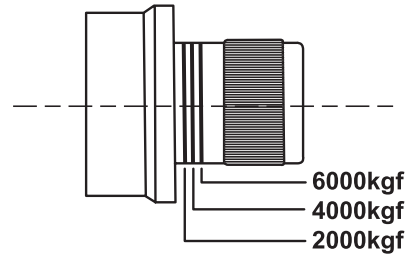


VERTEX[®]



COMPACT DESIGN-
SMALL LENGTH BODY BUT
SUPER OPEN CAPACITY

HYDRAULIC UNIT-
GREAT SMOOTH OPERATION



ORDER NO.	JAW H	JAW Open C	H	MAX. Clamping Force (8#KN)	G.W. kg
VQC-125H	40	205	140	40	42.5
VQC-160H	45	275	165	60	66
VQC-160LH	45	355	165	60	78.79
VQC-200LH	70	405	190	60	108

ORDER NO.	A	B	a	D	P	R	G	H	J	K	L
VQC-125H	365	140	126	124.5	78	74	66	100	40	113.5	478.5
VQC-160H	455	165	161	159.5	86	86	58	120	45	125.5	580.5
VQC-160LH	535	160	162	160	86	86	58	115	45	125.5	660.5
VQC-200LH	615	180	202	200	102	98	74	110	70	122	737

ORDER NO.	M	N	Q	W	X	Y	C OPEN	f	j	n	CODE NO.
VQC-125H	65	21	73	135	18	7	205	20	215	145	4005-005H
VQC-160H	78	21	93	170	18	7	275	20	285	145	4005-006H
VQC-160LH	78	21	93	174	18	7	355	20	285	145	4005-007H
VQC-200LH	75	21	95	217	18	7	405	20	385	177	4005-007AH