



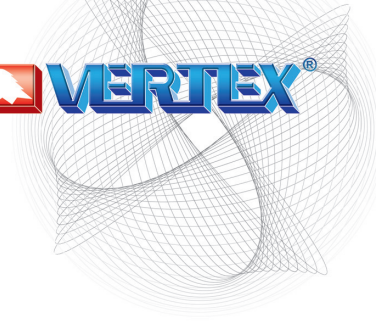
Dustproof Halogen Lamp Beams



VERTEX[®]

UNIVERSAL TYPE

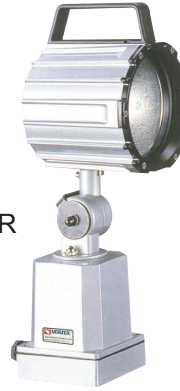
- Fitted with coil transformer resisting unstable voltage.
- Long service life.
- With Water proof articulated arm.
- Round tube arm provides great lighting angles.



VHL-300LR



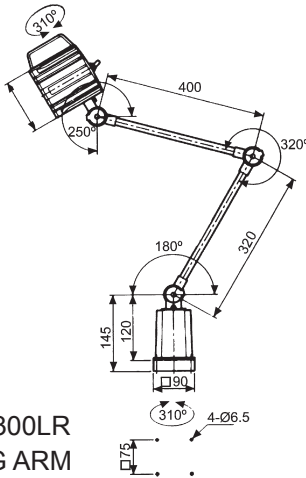
VHL-300MR



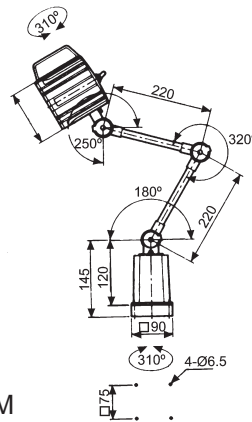
VHL-300SR



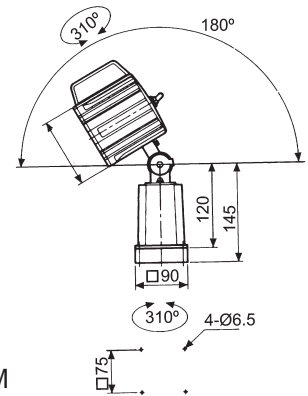
VHL-300 1/2MR



VHL-300LR
LONG ARM

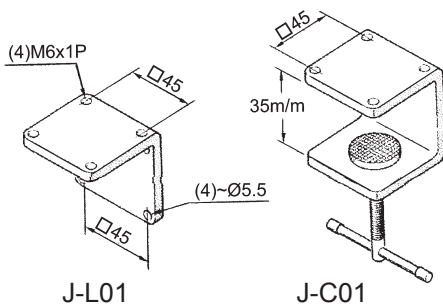


VHL-300MR
MEDIUM ARM



VHL-300SR
SHORT ARM

●OPTIONAL●



J-L01

J-C01

- MOUNTING ANGLE PLATE J-L01
- MOUNTING CLAMP J-C01

Totally enclosed lighting head provides well prevention for explosion, dust, coolant, and lubricants.

Uses efficient quartz halogen bulb, great light output, soft illuminating without irritating to the eyes.

Features

- Coil transformer built in base for directly connect to voltage of Ac power. (110V, 220V, 380V.....)
- Specify voltage as desired when ordering.
- It accepts bulb 50W, 55W, 70W.
- Furnished with 1.8 meter cord with plug.

Unit:mm

ORDER NO.	ARM LENGTH L x l	WEIGHT (kg)	CODE NO.
VHL-300LR	400x400 (With Water proof)	4.4	1025-010
VHL-300MR	200x200 (With Water proof)	3.6	1025-011
VHL-300SR	1 JOINT (With Water proof)	2.9	1025-012
VHL-300 1/2MR	200 (With Water proof)	3.4	1025-013
J-L01		0.6	1025-014
J-C01		0.4	1025-015